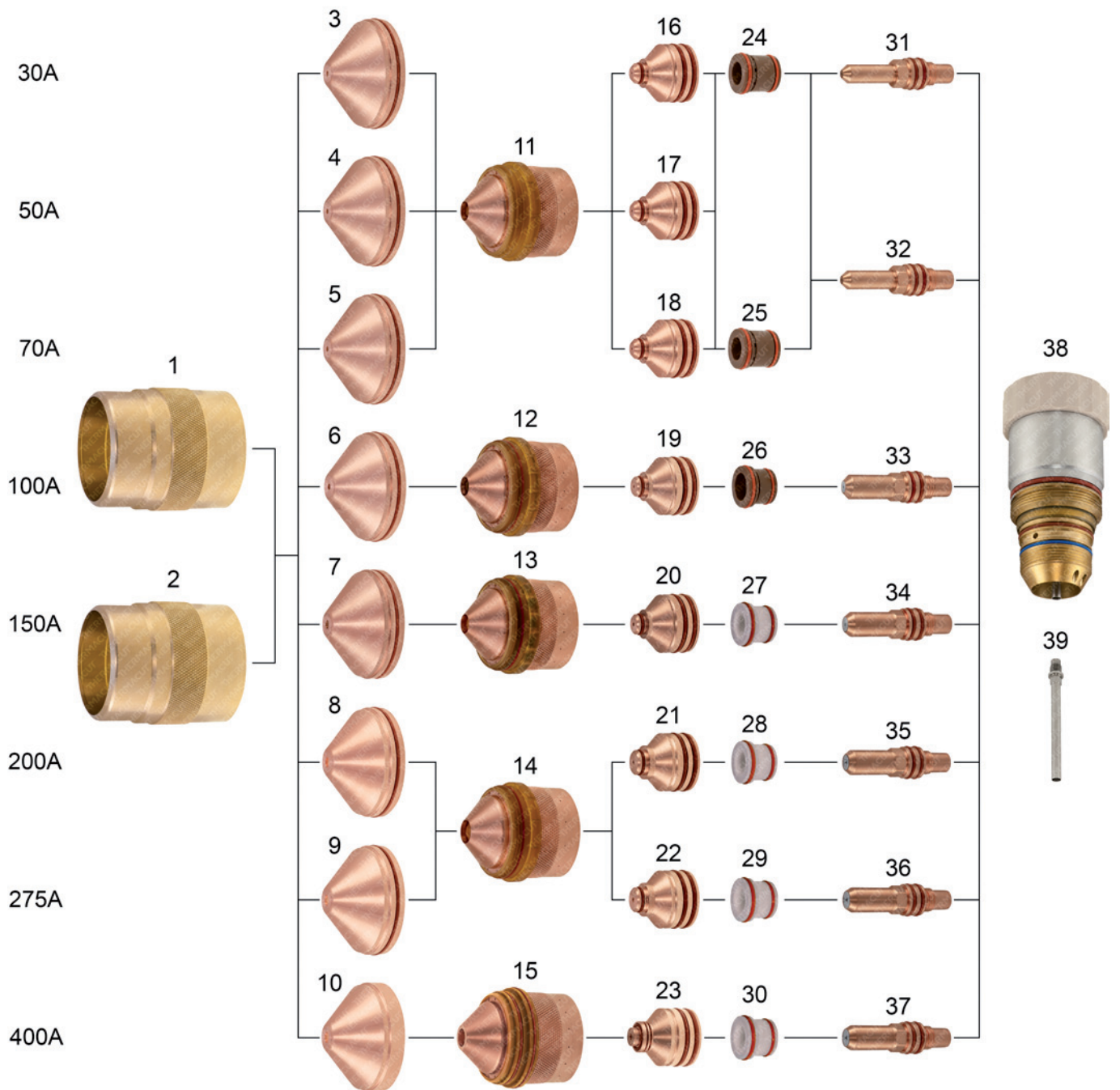


REPLACEMENT PARTS SUITABLE FOR KALIBURN®

SPIRIT®, ProLine™

SPIRIT® 150a, 200a, 275a, 400a, ProLine™ 2150, 2200, 2260



Last update of this page: 18/11/2016. See Revision history for details.

THERMACUT®
THE CUTTING COMPANY

WWW.THERMACUT.CZ
TEL.: +420 556 423 418
SALES@THERMACUT.CZ

WWW.THERMACUT.DE
TEL.: +49 (0) 27 39 40 33 0
INFO@THERMACUT.DE

WWW.THERMACUT.COM
TEL.: 1-603-542-6715
CUSTOMERSERVICE@THERMACUT.COM

THERMACUT®, FHT-EX® AND EX-TRAFIRE® ARE REGISTERED TRADEMARKS OF THERMACUT S. R. O. AND MAY BE REGISTERED IN CZECH REPUBLIC AND/OR OTHER COUNTRIES. ALL OTHER TRADEMARKS ARE PROPERTIES OF THEIR RESPECTIVE OWNERS. THERMACUT IS NO WAY AFFILIATED WITH KALIBURN®. MOST THERMACUT PARTS ARE MADE FOR OR BY AN IBG COMPANY. PARTS INDICATED WITH A OEM ARE ORIGINAL PARTS MANUFACTURED BY THE ABOVE NAMED MANUFACTURER AND ARE BEING RESOLD BY THERMACUT. THERMACUT RESERVES THE RIGHT TO SUBSTITUTE OEM PARTS IN PLACE OF THERMACUT PARTS. VALID FROM NOVEMBER 2016 • PREVIOUS VERSION IS NO LONGER VALID. • © COPYRIGHT 2016 BY THERMACUT® CZECH REPUBLIC. ALL RIGHTS RESERVED.

REPLACEMENT PARTS SUITABLE FOR KALIBURN®

SPIRIT®, ProLine™

SPIRIT® 150a, 200a, 275a, 400a, ProLine™ 2150, 2200, 2260



PRODUCT BROCHURE WITH DETAILS AT
WWW.THERMACUT.COM

Item	Part No.	Ref. No.	Description	Std. Pkg.	Item	Part No.	Ref. No.	Description	Std. Pkg.
1.	T-11909	284150	Outer Cap 30-400A	1	21.	T-11884	277289	Nozzle 200A, MS/SS/AL, Air	1
2.	T-11892	277154	Outer Cap 30-275A	1	22.	T-11888	277269	Nozzle 275A, MS	5
3.	T-12034	277145	Shield Cap 30A, MS/AL	1	23.	T-12028	284125	Nozzle 400A, MS	5
4.	T-12029	277115	Shield Cap 50A, MS	1	24.	T-12033	277140	Swirl Ring 30-70A, MS/SS/AL, H17	1
5.	T-11901	277150	Shield Cap 70A, MS/SS/AL	1	25.	T-11894	277142	Swirl Ring 50-70A	1
6.	T-11898	277286	Shield Cap 100A, MS/SS/AL, Air	1	26.	T-11893	277283	Swirl Ring 100A, MS/SS/AL, Air	1
7.	T-11907	277117	Shield Cap 150A, MS/SS/AL	1	*27.	T-11897	277139-UR	Swirl Ring 150A, MS/SS/AL	1
8.	T-11899	277274	Shield Cap 200A, MS/SS/AL	1	*28.	T-11896	277143-UR	Swirl Ring 200A, MS/SS/AL	1
9.	T-11900	277263	Shield Cap 275A, MS/SS/AL	1	*29.	T-11895	277258-UR	Swirl Ring 275A, MS/SS/AL	1
10.	T-12037	284123	Shield Cap 400A, MS	1	*30.	T-12036	284122-UR	Swirl Ring 400A, MS/SS/AL	1
11.	T-11891	277153	Retaining Cap 30-70A, MS/SS/AL	1	31.	T-12032	277130	Electrode 30A, MS/AL	5
12.	T-11908	277151	Retaining Cap 100/150A, MS/SS/AL	1	32.	T-11906	277131	Electrode 50/70A, MS/SS/AL	5
13.	T-11890	277152	Retaining Cap 150A, MS/SS/AL	1	33.	T-11902	277282-PRO	Electrode, Silver PRO 100A, MS/SS/AL	5
14.	T-11889	277266	Retaining Cap 200/275A, MS/SS/AL	1	34.	T-11904	277292-PRO	Electrode, Silver PRO 150A, MS/SS/AL	5
15.	T-12035	284121	Retaining Cap 400A, MS	1	35.	T-11903	277291-PRO	Electrode, Silver PRO 200A, MS/SS/AL	5
16.	T-12030	277120	Nozzle 30A, MS/AL	5	36.	T-11905	277270-PRO	Electrode, Silver PRO 275A, MS/SS/AL	5
17.	T-12031	277122	Nozzle 50A, MS/AL	5	37.	T-12038	284124-PRO	Electrode 400A, MS	1
18.	T-11887	277125	Nozzle 70A, MS/SS/AL	5	38.	TN-0121	279100 OEM	Torch Head	1
19.	T-11886	277284	Nozzle 100A, MS/SS/AL, Air	1	39.	T-11944	277007	Cooling Tube	1
20.	T-11885	277293	Nozzle 150A, MS/SS/AL, Air	5					

* FULLY INTERCHANGEABLE AND COMPATIBLE WITH ORIGINAL PARTS, BUT DIFFERS FROM ORIGINAL DESIGN
-PRO SILVER PRO TECHNOLOGY INCREASES ELECTRODE LIFETIME SIGNIFICANTLY COMPARED TO STANDARD COPPER ELECTRODES

Last update of this page: 18/11/2016. See Revision history for details.

THERMACUT®
THE CUTTING COMPANY

WWW.THERMACUT.CZ
TEL.: +420.556 423 418
SALES@THERMACUT.CZ

WWW.THERMACUT.DE
TEL.: +49 (0) 27 39 40 33 0
INFO@THERMACUT.DE

WWW.THERMACUT.COM
TEL.: 1-603-542-6715
CUSTOMERSERVICE@THERMACUT.COM

THERMACUT®, FHT-EX® AND EX-TRAFIRE® ARE REGISTERED TRADEMARKS OF THERMACUT S. R. O. AND MAY BE REGISTERED IN CZECH REPUBLIC AND/OR OTHER COUNTRIES. ALL OTHER TRADEMARKS ARE PROPERTIES OF THEIR RESPECTIVE OWNERS. THERMACUT IS NO WAY AFFILIATED WITH KALIBURN®. MOST THERMACUT PARTS ARE MADE FOR OR BY AN IBG COMPANY. PARTS INDICATED WITH A OEM ARE ORIGINAL PARTS MANUFACTURED BY THE ABOVE NAMED MANUFACTURER AND ARE BEING RESOLD BY THERMACUT. THERMACUT RESERVES THE RIGHT TO SUBSTITUTE OEM PARTS IN PLACE OF THERMACUT PARTS.
VALID FROM NOVEMBER 2016 • PREVIOUS VERSION IS NO LONGER VALID. • © COPYRIGHT 2016 BY THERMACUT® CZECH REPUBLIC. ALL RIGHTS RESERVED.